

Uniflex shower channel

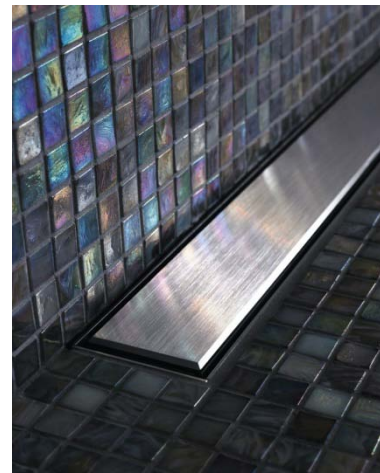


Design

Middle of room



Attached to the wall



Uniflex shower channel



Design - „Stainless steel“



Form: mit einseitiger Fase :: Materialität: Chromstahl, Fläche gebürstet, Fase poliert

Varianten: ohne

The shower channel is matching with the flush actuator!



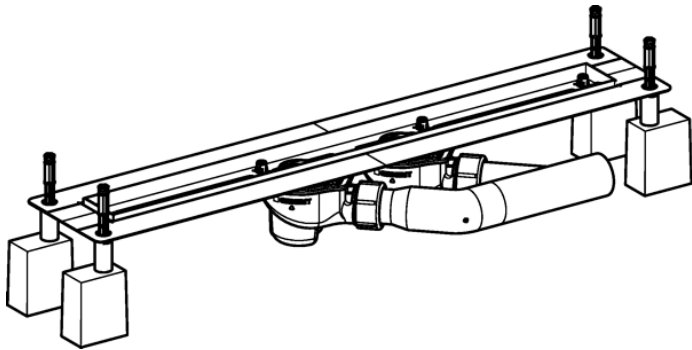
Uniflex shower channel



Options

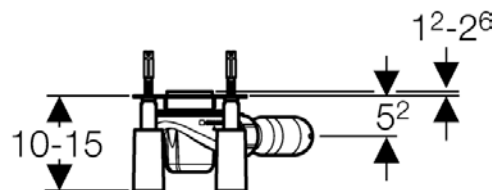
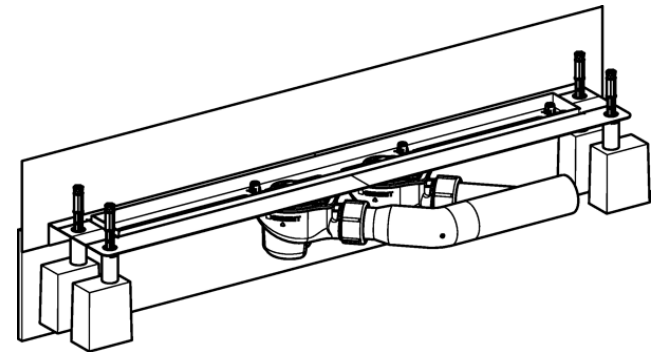
Uniflex shower channel, „Room version“

Room means, the channel is not touching a wall
Lengths 700 mm, 800 mm, 900 mm, 1000 mm



Uniflex shower channel, „Wall version“

Wall means, the channel is fixed to a wall
Lengths 700 mm, 800 mm, 900 mm, 1000 mm



Height adjustable to max. 50 mm on both versions

Uniflex shower channel



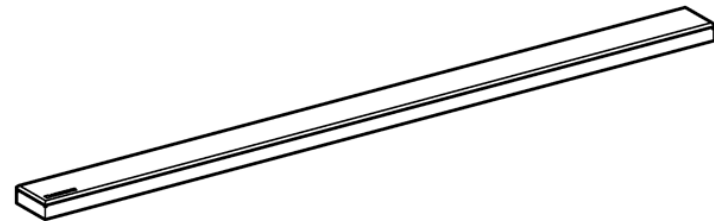
Covers

Ready to fit set shower channel covers

Lengths available 700 mm, 800 mm, 900 mm, 1000 mm

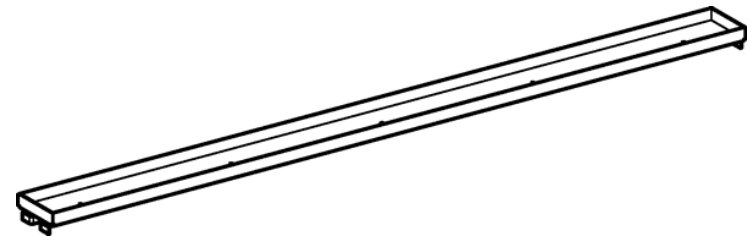
Material

Cover in stainless steel finish



Cover for a tiled surface

(customizable solution)



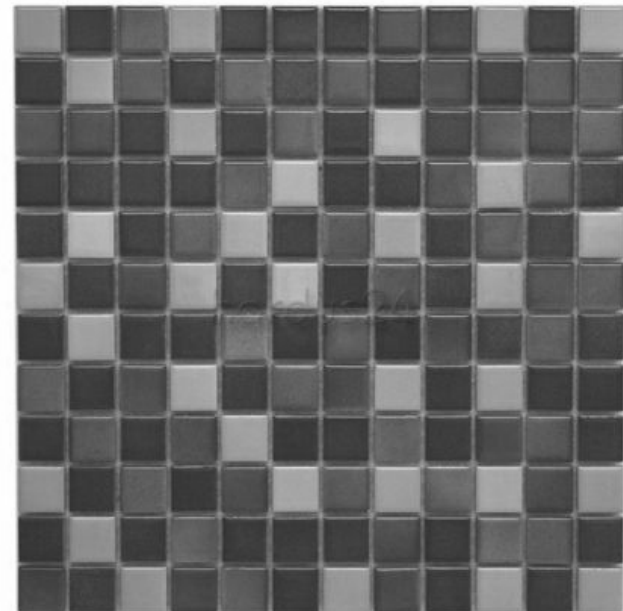
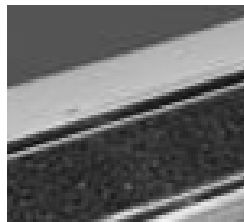
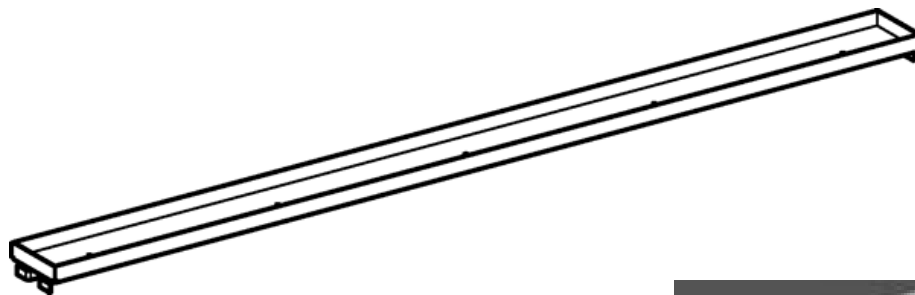


Uniflex shower channel



Creative Design - „Tiles“

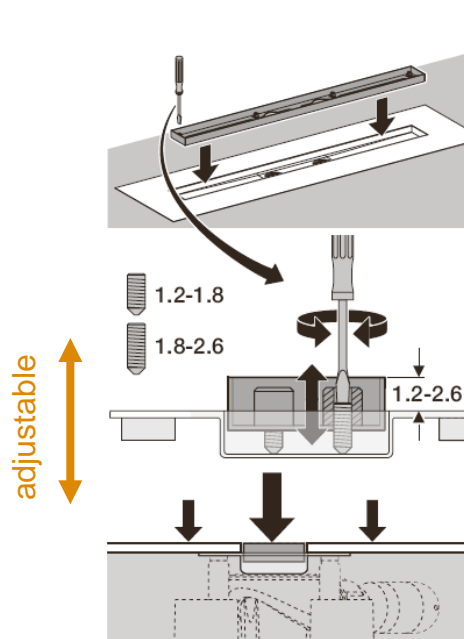
Design set to integrate your bathrooms tiles



Uniflex shower channel



Features

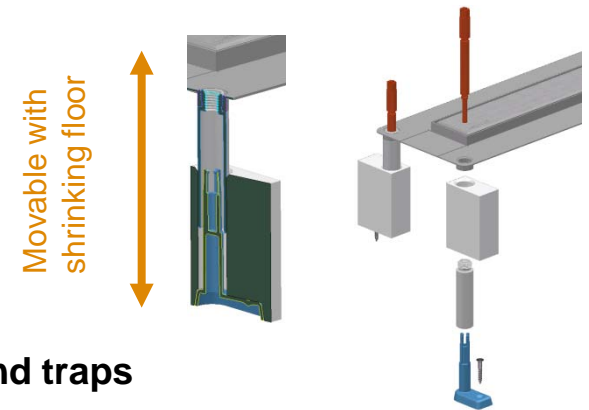


Frame and grating

Height adjustment of frame up to 14 mm
Possibility to compensate for mistakes after tiling has been completed.
Cover is noise insulated, using the rubber caps



Rubber caps



Base body and traps

- Noise insulated feet, no noise transfer through support feet
- Feet are independently adjustable to match uneven floor levels
- Base body in height adjustable from 100 mm to 150 mm (50 mm)
- Traps are easy to clean and give access to drain pipe
- Drain capacity of trap is **0.8 l/s**

Once embedded in mortar the base body moves with the shrinking floor. No cracks or over standing base body